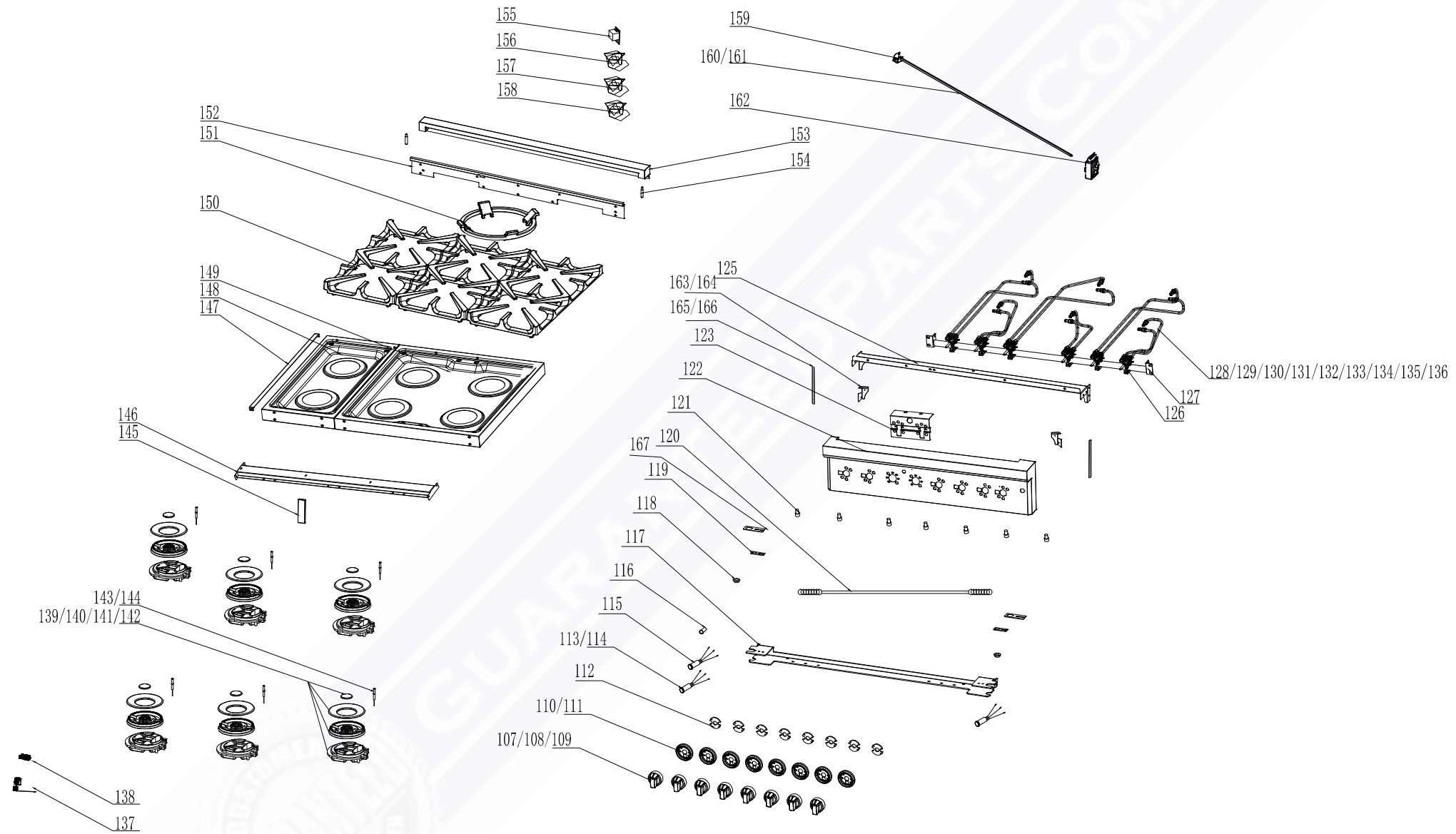
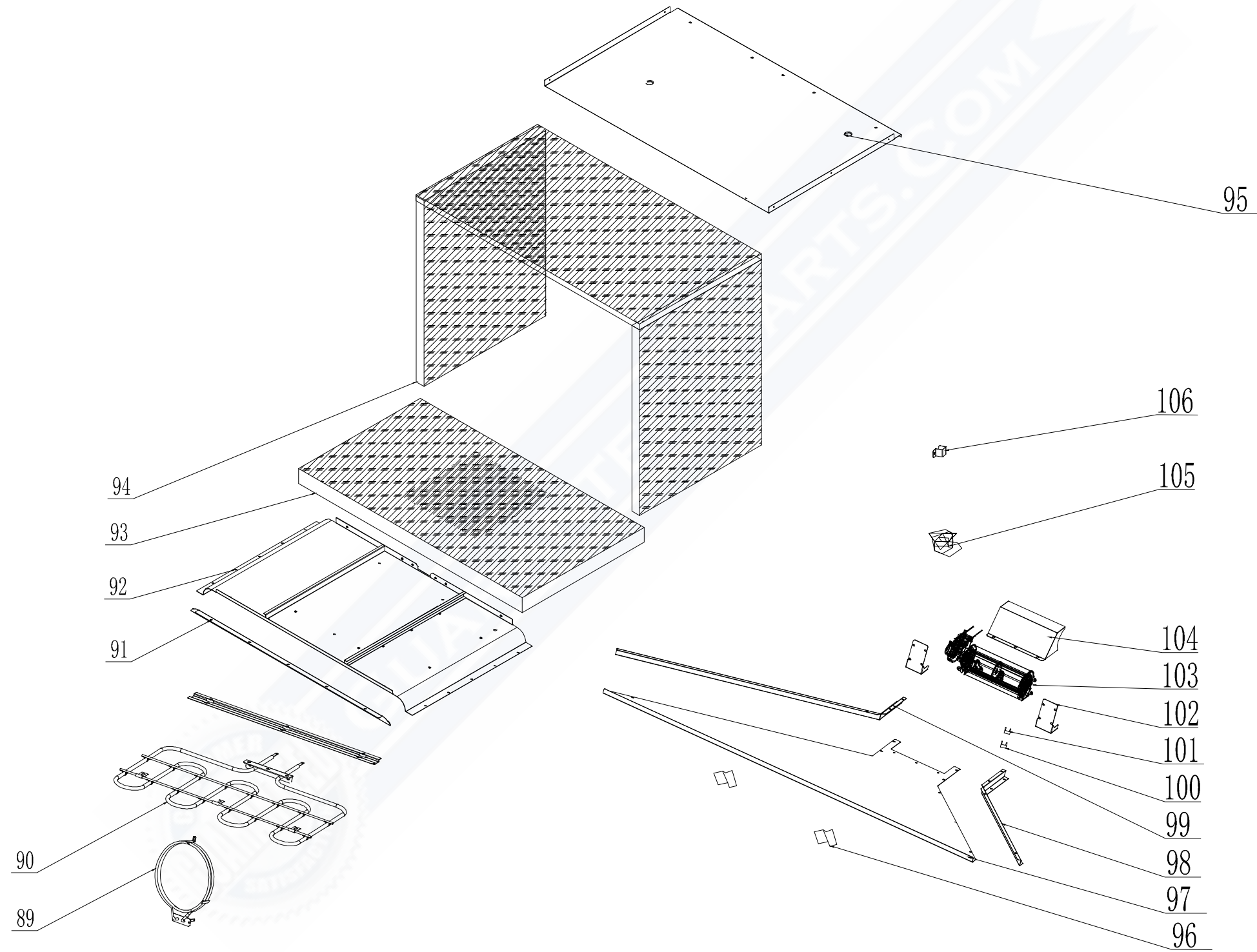


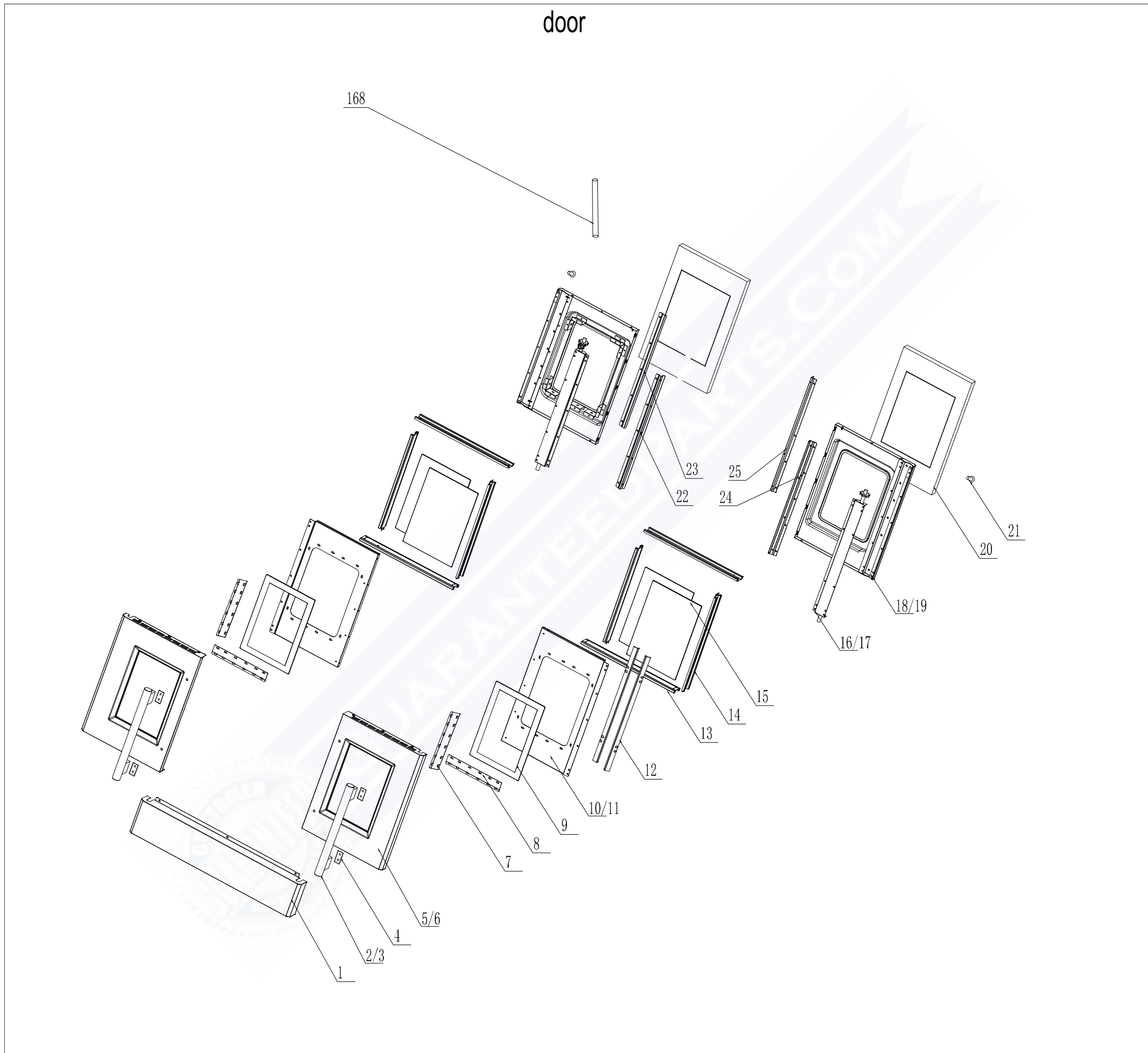
# cooktop



cavity top



door



168



23

25

22

24

21

20

18/19

16/17

15

14

13

12

10/11

9

8

7

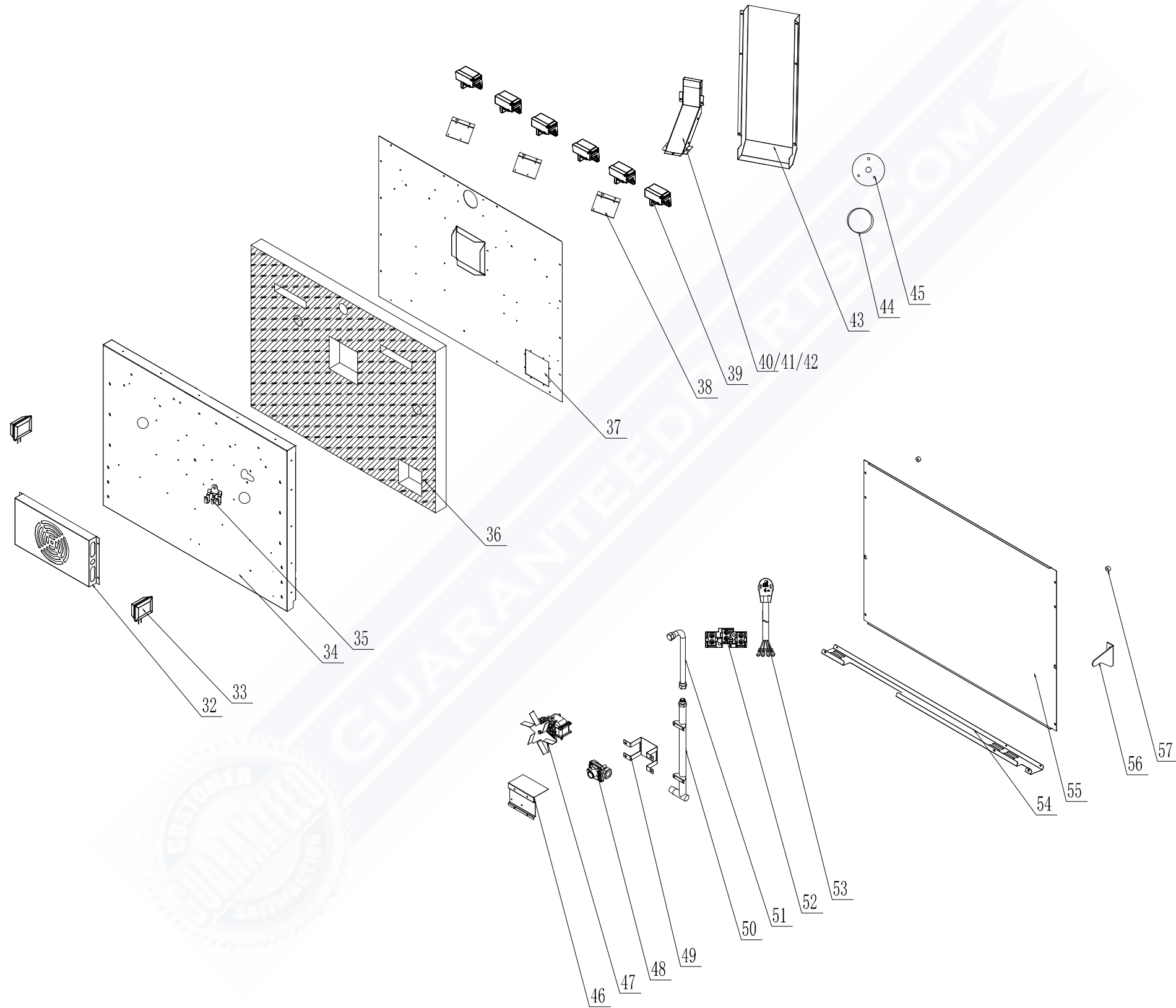
5/6

4

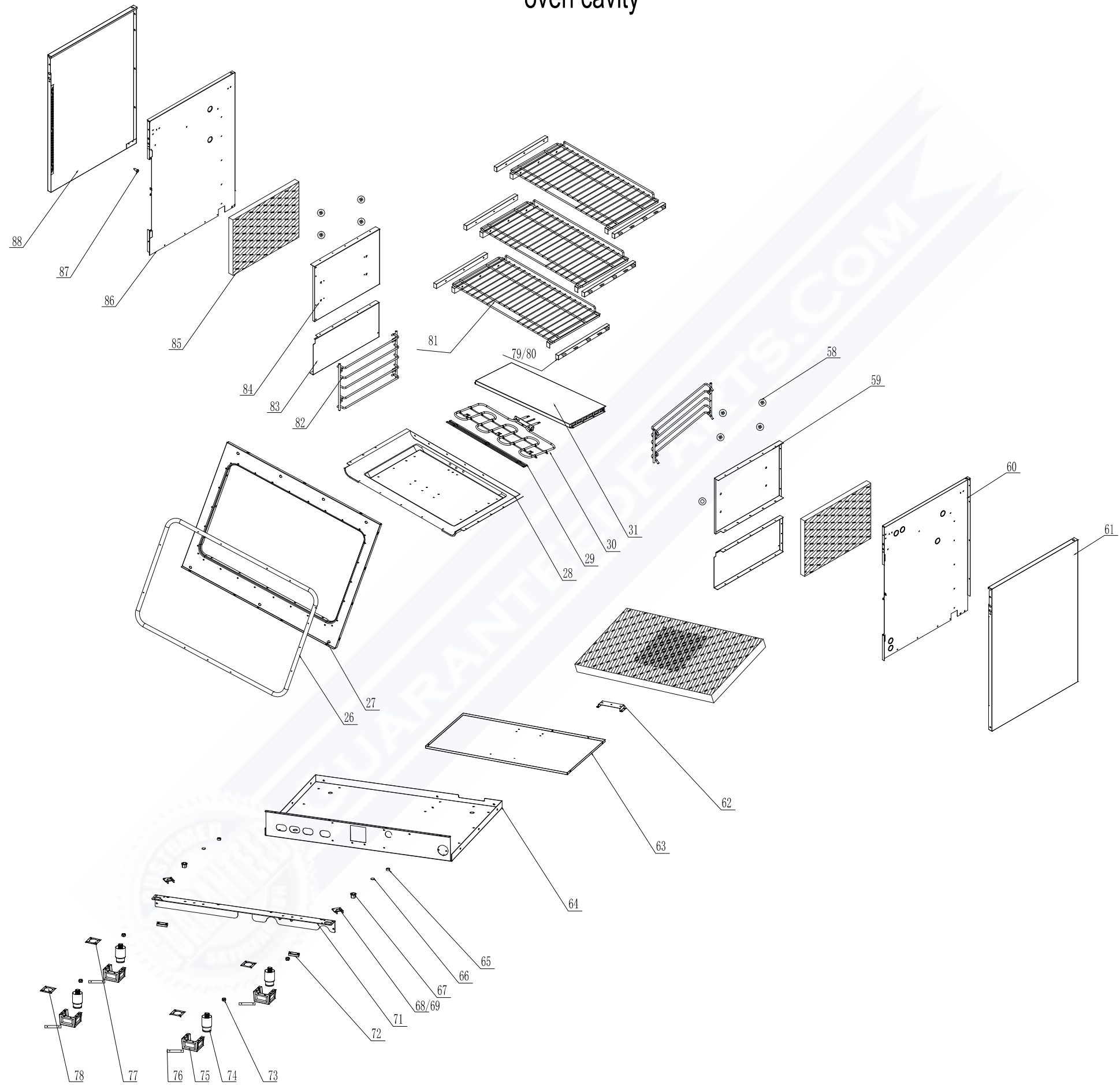
2/3

1

cavity back



# oven cavity





## FFSGS6387-36

No.	Material Name	Material Code	Qty.
1	Drawer panel G36R45	G36R45-120100	1
2	Handle left G18R43	G18R43-101900	1
3	Handle right G18R43	G18R43-101901	1
4	handle rubber mat G18R43	G18R43-100700	4
5	door outside plate-left G36R43	G36R43-100402	1
6	door outside plate-right G36R43	G36R43-100403	1
7	door outer glass black pressing plate G36R43	G36R43-101400-02	4
8	door outer glass black pressing plate G30R45	G30R45-101400-02	4
9	door outer glass G36R43	G36R43-100300	2
10	door insulation plate left G36R43	G36R43-100800	1
11	door insulation plate right G36R43	G36R43-100801	1
12	Handle strengthen bar G36R43	G36R43-100700	2
13	up/down frame body for door inside glass	G36R43-101500	4
14	left/right frame body for door inside glass	G36X03-101600	4
15	innder door glass G36R43	G36R43-100500	4
16	axis of rotation component left	G36R43-101300-Z	1
17	axis of rotation component right	G36R43-101301-Z	1
18	Door frame Left G36R43	G36R43-100602-Z	1
19	Door frame Right G36R43	G36R43-100603-Z	1
20	glass wool for door G36R43	G36R43-103500	2
21	drawer rubber mat G20A01	G20A01-120900	2
22	seal support for left door G36R44	G36R44-101000	1
23	supported seal part for left door G36R43	G36R43-102000	1
24	seal part for right door G36R43	G36R43-101100	1
25	supported seal part for right door G36R44	G36R44-102100	1
26	door seal bar G36R03	G36R03-071200	1
27	front plate component G36R43	G36R43-070100-Z	1
28	cavity down blue enameled plate C36X03	C36X03-070704-Z	1
29	heat element cushion plate C36X04	C36X04-080600	2
30	oven bottom heat element C36R05	C36R05-091200	1
31	oil baffle plate blue enameled C36X04	C36X04-215102	1
32	convection fan cover G20H08	G20H08-091701	1
33	square lamp G36X04	G36X04-180100	2
34	thermo-sensor fixed board G20A01	G20A01-031100	1
35	cavity blue enameled back plate C36R04	C36R04-070300	1
36	cavity back plate glass wool G36X03	G36X03-072900	1
37	cavity back insulation plate C36R05	C36R05-072200	1
38	ignition support (2) G48R03	G48R03-212300	3
39	Ignition G36R03	G36R03-170101	6
40	chimney outer plate C36R03	C36R03-074200	1
41	chimney component C36R03	C36R03-074100	1
42	chimney fixed support C36R03	C36R03-074300	3
43	back ventilation part	C30R04-075600	1
44	fan motor glass wool G36X03	G36X03-072800	1
45	fan motor baffle plate C36A01	C36A01-073100	1
46	safety valve big support G36X03	G36X03-076600	1
47	Convection fan G20A01	G20A01-091501	1
48	regulator G36X03	G36X03-034000	1
49	pressure adjustable valve fixed support G36X03	G36X03-034500	1
50	cavity back gas manifold G36X03	G36X03-030801	1
51	3/4" corrugated pipe 170mm G36X03	G36X03-215300	1
52	power cord terminal E20F01	E20F01-106400	1

53	power cord #14	G20A14-160100	1
54	bottom fixed plate for baffle plate C36R05	C36R05-072400	1
55	baffle plate C36X03	C36X03-072001	1
56	anti-tip support X01 series G36X01	G36X01-212501	1
57	anti-wall rubber mat G36X03	G36X03-212600	2
58	side rack protect cover G36X03	G36X03-073900	8
59	cavity top right side blue enameled plate G36R04	G36R04-070500-Z	1
60	right outside plate inside component	G36R43-071101-Z	1
61	right outside plate G30R45	G30R45-071001	1
62	cavity down heat element ground support	C36X04-080700	1
63	drawer insulation plate C36X04	C36X04-072100	1
64	bottom plate G36R43	G36R43-071800	1
65	rotate axis coat G48R43	G48R43-002200	2
66	French door gasket	G36R43-002300	2
67	adjustable bottom base	G36R43-002100	2
68	bottom rotate fixed part left G36R43	G36R43-032000-Z	1
69	bottom rotate fixed part right G36R43	G36R43-032001-Z	1
70			
71	Door down connection plate G36R43	G36R43-985600-02	1
72	drawer fixed plate G30R45	G30R45-120200	2
73	leg round fixed screw	BZ-0000000912	4
74	oven leg G36X03	G36X03-071500	4
75	leg cover	G36X01-071600	4
76	leg cover fixed plate	G48R04-071816	4
77	back left/right foot fixed part	G48R04-071811	2
78	front left/right foot fixed part	G48R04-071813	2
79	slide rail L X01 series G36X01	G36X01-120700	3
80	slide rail R X01 series G36X01	G36X01-120701	3
81	baking rack stainless steel	G36R05-071901	3
82	side rack G36X01	G36X01-073801	2
83	cavity down side plate G36X03	G36X03-070400	2
84	cavity top left side blue enameled plate G36R04	G36R04-070501	1
85	cavity top left glass wool G36X03	G36X03-073300	2
86	left outside plate inside component	G36R43-071100-Z	1
87	screw for anti-tip step G36X03	G36X03-111000	1
88	left outside plate G30R45	G30R45-071000	1
89	back heat element C20A01	C20A01-091602	1
90	broil heat element (inside+outside) C36R05	C36R05-091000	1
91	front panel strip G36X03	G36X03-214500	1
92	36" cavity top plate component-R05	C36R05-070600-Z	1
93	36" cavity bottom plate glass wool-X03	G36X03-036000	2
94	36" cavity structure frame glass wool	G36X03-070800	1
95	cavity insulation plate C36R43	C36R43-074500	1
96	heat dissipation wind board support	C30R43-075200	2
97	heat dissipation wind board	C36R43-075000	1
98	Right side plate for wind board C36R05	C36R05-075100	1
99	Left side plate for wind board C36R05	C36R05-075200	1
100	Thermo-controller 140°C E24F01	E24F01-076200	1
101	Thermo-controller 50°C C36R05	C36R05-076200	1
102	cooling fan fixed support C36X04	C36X04-075400	2
103	cooling fan C36R05	C36R05-200900	1
104	fan heat insulation cover C36X04	C36X04-075300	1
105	harness C36R44	C36R44-180300	1
106	plastic wire hook	G36R03-160200	4
107	knob for oven temperature setting C36R05	C36R05-030101	1
108	knob for oven function C36R05	C36R05-030105	1

109	knob for double gas outlet G36R04	G36R04-030101	6
110	knob ring for thermostat G36R04	G36R04-030201	2
111	knob ring for main gas valve G36R04	G36R04-030202	6
112	knob shining PCB G36R04	G36R04-031000	8
113	Round press button G36R45	G36R45-170200	1
114	LED light switch plug G36X04	G36X04-171000	1
115	Round press button G36R43	G36R43-170200	2
116	red indicator G36X03	G36X03-031000-7	1
117	Door top connection plate G36R43	G36R43-022300-02	1
118	Copper bush G36R43	G36R43-130100	2
119	pressing plate G36R43	G36R43-057600	2
120	chain with screw component	G36R43-110002	1
121	red LED light G36X04	G36X04-031000-7	8
122	control panel C36R44	C36R44-032300-Z	1
123	cavity thermostat installation support component	C36R44-030500-Z	1
124			
125	cooktop front support G36R43	G36R43-022100	1
126	Cooktop valve 0.68+0.27 C36R04	C36R04-030400	6
127	control panel main gas pipe G36R45	C36R45-030700	1
128	R/F support Al.pipe G36R03	G36R03-020600	2
129	R/F main Al.pipe G36R03	G36R03-020500	2
130	R/R support Al.pipe G48R04	G48R04-020500	2
131	R/R main Al.pipe G48R04	G48R04-020600	1
132	R/R main Al.pipe G30R04	G30R04-020600	1
133	M/F support Al.pipe G36R04	G36R04-020300	1
134	M/F main Al.pipe G36R04	G36R04-020400	1
135	M/L/R Al.pipe C48R03	C48R03-020200	1
136	20,000btu burner back Al. pipe C48R04	C48R04-020400	1
137	thermo-control component switch C36R05	C36R05-030900	1
138	switch 5+0 C36R05	C36R05-170800	1
139	20,000btu burner component-brass	G36R03-040301	6
140		G36R03-040302	6
141		G36R03-040203	6
142		G36R03-040204	6
143	top burner spark plug 400 G36R04	G36R04-170505	2
144	top burner spark plug 700 G36R04	G36R04-170501	4
145	back beam support	C36X03-022200	1
146	cooktop back support G36X03	G36X03-022000	1
147	cooktop plate decoration strip G36X03	G36X03-025000	1
148	Cooktop plate G12R04	G12R04-020100	1
149	Cooktop plate G24R04	G24R04-020100	1
150	cast iron grates G36R04	G36R04-021400	3
151	pan support G48R03	G48R03-021400	1
152	cooktop back connection plate G36R04	G36R04-073600	1
153	backsplash board G36R04	G36R04-011500-Z	1
154	backsplash bolt G36X03	G36X03-110800	2
155	LED light transformer G36R04	G36R04-180305	1
156	wires for LED light transformer G36R45	G36R45-180301	1
157	wires for LED light-R05	C36R05-180302	1
158	wires for knob LED light	C36R45-180303	1
159	roasted axis support	G20A01-200700	1
160	roastisserie rod 770mm	G36R03-200500	1
161	roastisserie fork	G20A01-200601	2
162	Roastisserie motor G20A01	G20A01-200101	1
163	control panel top support left	G30R43-071500	1
164	control panel top support right	G30R43-071501	1



165	cooktop front support part G36R43 left	G30R44-022200	1
166	cooktop front support part G36R43 right	G30R44-022201	1
167	pressing plate for copper bush	G30R43-057600	2
168	door seal bar G36R43	G36R43-071200	1
	door outside glass straight fixed part	G36R03-101300	4
	door outside glass L shape fixed part	G36R03-101200	8
	Rotary gasket	G36R43-002400	2
	flat gasket	BZ-0000001606	8
	plastic rivets	G36R03-232902	16

GUARANTEEDPARTS.COM

